

## Independence

### Application Instructions

#### What is a Independence

Independence is a “designer” or “architectural” style shingle product built on a full-size base shingle. The benefits of the Shingle design are its simplicity of application, secure double coverage without risk of delamination, and more variation in design options. Shingle products are built to meet dimensional tolerances of  $\pm 1.5\text{mm}$ .

#### WHAT TYPES OF PRODUCTS ARE INDEPENDENCE?

Independence Shingles are very popular roofing products because they combine a rough dimensional look with attractive natural colour blends. This design is exclusive to CertainTeed.

The Independence Shingle has randomly applied laminated overlay tabs. It looks similar to wood shingles or, in different colours, like slate. Independence Shingle carries a Class A fire resistance rating and is certified by Underwriters Laboratories to meet the tough ASTM D3462 standard, which includes resistance to tearing, as well as being BRANZ appraised.

#### STANDARD OR STEEP SLOPE UNDERLAYMENT:

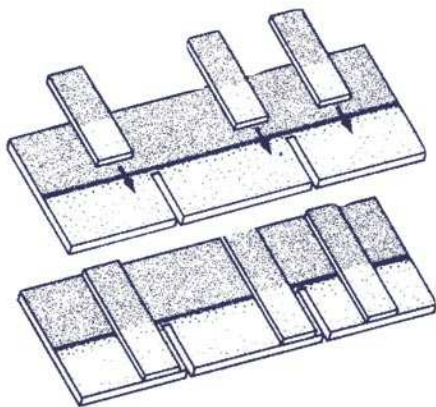


Figure 16-1: Shingle construction (Independence Shingle®).

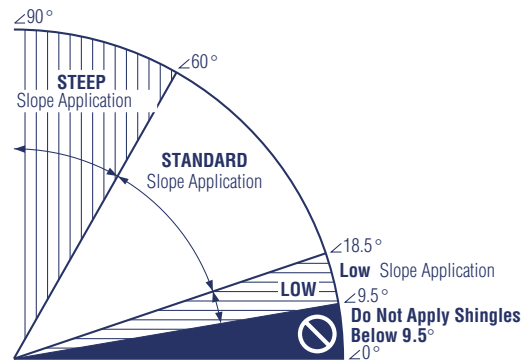


Figure 16-2: Slope definition

Skellerup 15W underlay is required.

#### LOW SLOPE UNDERLAYMENT:

One layer of Skellerup Peel & Stick Waterproofing Shingle Underlayment or two layers of 915mm wide 15W felt shingle underlayment lapped 485mm, must be applied over the entire roof.

#### THE ROOF DECK MUST BE AT LEAST:

15mm thick plywood, or nominal 25mm thick wood deck, not more than 150 mm wide. Skellerup recommends 15mm Ecoply.

#### COLD WEATHER CLIMATES (ALL SLOPES):

Applying Skellerup Peel & Stick is strongly recommended wherever there is a possibility of ice build-up.

#### FLASHING:

Corrosion-resistant flashing must be used to help prevent leaks where a roof meets a wall, another roof, a chimney or other objects that penetrate a roof.

## Independence

### Application Instructions

#### SEALING:

Shingle sealing may be delayed if shingles are applied in cool weather and may be further delayed by airborne dust accumulation. If any shingles have not sealed after a reasonable time period, hand sealing may be necessary.

#### CAUTION:

To prevent cracking, shingles must be sufficiently warm to allow proper forming for hips, ridges and valleys.

#### WARRANTY:

These shingles are warranted against manufacturing defects. See the warranty for specific details and limitations.

### Fastening

#### IMPORTANT:

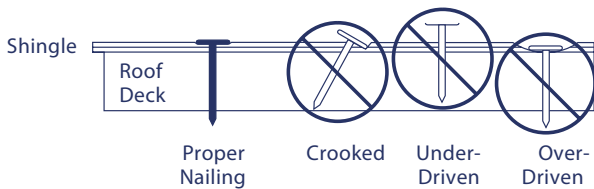


Figure 16-3: Proper and improper nailing

For decks 19mm thick or thicker, nails must go at least 19mm into the deck. On thinner decks, nails must go at least 3mm through the deck. Nails must be 11- or 12-gauge roofing nails, corrosion-resistant, with at least 9mm heads, and at least 25mm long.

#### LOW AND STANDARD SLOPE:

Use four nails for every full Independence shingle (Figure 16-4).

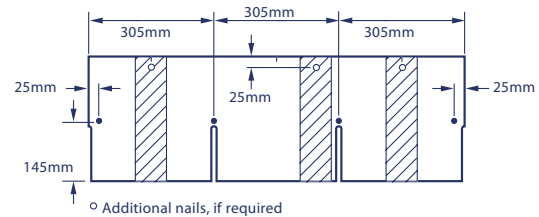


Figure 16-4: Use four nails for every full shingle

#### STEEP SLOPE:

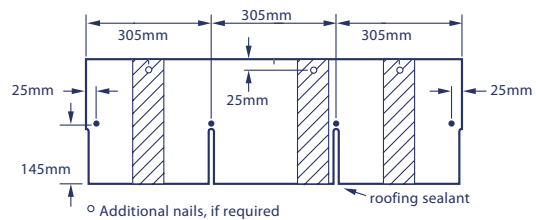


Figure 16-5: Use seven nails and six spots of asphalt roofing cement on steep slopes

Use seven nails and six spots of Skellerup Roofing Sealant for every full shingle (Figure 16-5).

For additional important details on fastening Independence Shingle, refer to "Fastening."

#### CAUTION:

Excessive use of roofing sealant can cause shingles to blister.

## Independence

### Application Instructions

#### Two New Roof application methods

##### (1) Four course, 150mm, Stepped-off diagonal method

###### NOTE:

This is the preferred method for installing Independence Shingle when working on a new roof or on a tear-off. Use of other installation methods may result in less-than-designed performance or appearance. The methods described below assume that you will be starting from the lower left corner of the roof.

###### PREPARING THE DECK:

- Roof deck must be at least 12mm thick plywood, or at least nominal 25mm thick wood deck, not more than 150 mm wide.
- Apply 15W underlay in a flat and unwrinkled manner, with 50mm lap and 100mm end lap.
- Apply drip edge flashing beneath the underlay and gable flashings over the underlay.
- Snap horizontal and vertical chalklines to assure shingles will be correctly aligned. Expose all shingles 125mm.

###### STARTER COURSE:

1. Use pre-cut starter-course shingles.
2. Cut 150mm off the length of the first starter shingle and apply the 750mm piece to the lower left corner of the roof (Figure 16-6).
3. The starter strip should overhang the rakes and eaves 12mm.
4. Continue with full-length starter-strip shingles along the eaves.

###### 1ST COURSE:

Apply a full shingle at the lower left corner of the roof. Make

the tabs flush with the starter-course shingle at the eaves and rake (Figure 16-7).

###### 2ND THROUGH THE 4TH COURSES:

1. Start the second course by first cutting 150mm off the

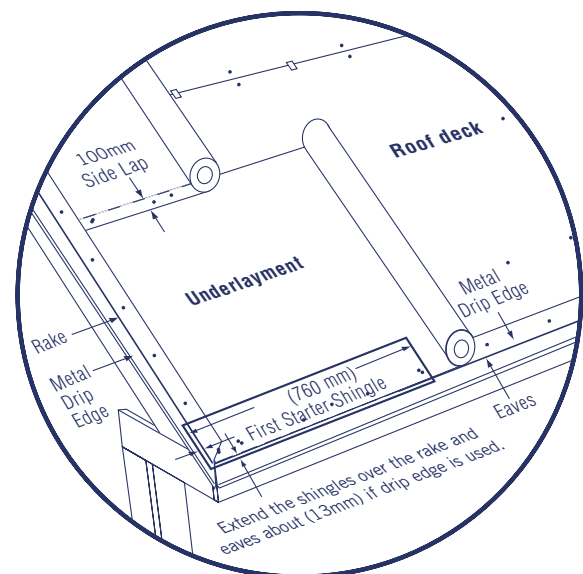


Figure 16-6: Standard slope underlayment and starter drip edge details

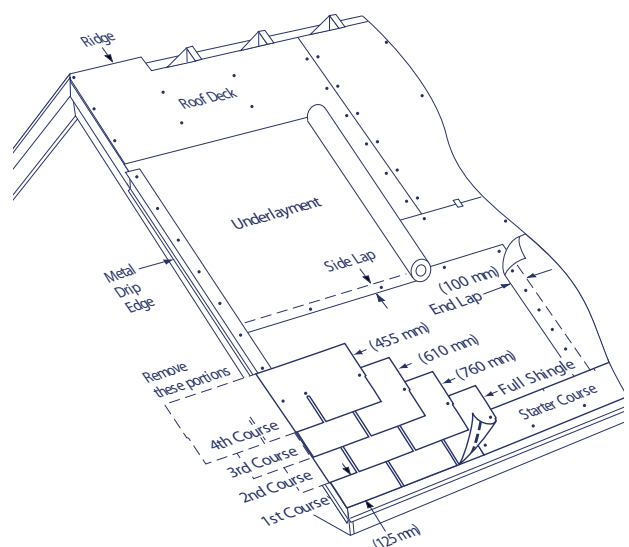


Figure 16-7: Applying the first 4 courses on a standard slope

## Independence

### Application Instructions

left end of a full shingle, then installing the 750mm piece over the first course. Leave 125mm of the first course exposed, and make the left edge flush with the first-course shingle at the rake (Figure 16-7).

2. Start the third course by cutting 300mm off a shingle. Install the 600mm section over the first shingle in the second course, exposing 125mm of the second course and making the left edge flush with the second-course shingle at the shingle rake.
3. Start the fourth course by cutting 450mm off the first shingle. Install the 450mm piece over the first shingle on the third course.
4. Install a full shingle against each of these four courses (Figure 16-10 – see A).

#### SUCCEEDING COURSES:

Repeat the “Four-Course, 150mm, Stepped-Off Diagonal Method” up the left rake. Complete courses across the roof using full-size shingles (Figure 16-10 – see B).

#### (2) 125, Stepped-off diagonal application method

(“five off, twelve up”)

#### STARTER COURSE:

Use CertainTeed Starter™ 250mm x 900mm or a starter course consisting of the shingles from which the 125mm tabs have been removed (Figure 16-8).

#### “SECTION I” SHINGLES:

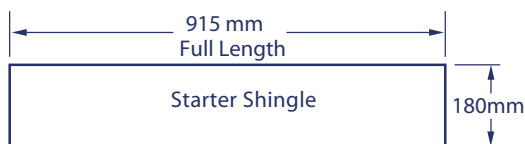


Figure 16-8:

“Section I” is made up of the first shingles used to start courses one through seven.

1. Start the first course with a full shingle at the lower left corner of the roof. Make the tabs flush with the starter course and be sure to use four fasteners in each shingle (Figure 16-9).
2. Begin the second course by cutting 125mm off the left

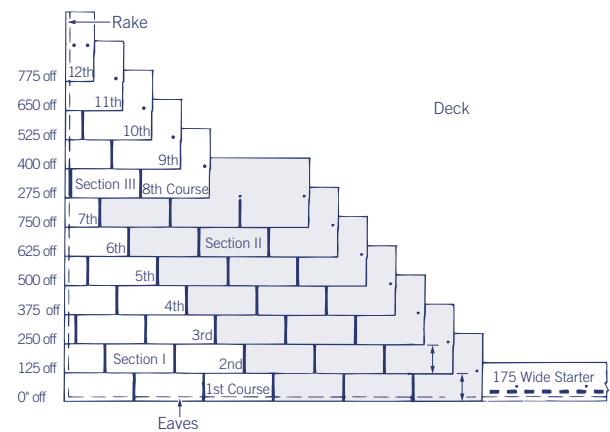


Figure 16-9: Five off, twelve up

end of a shingle and applying the 775mm piece over the first-course shingle. Keep the shingle flush with the left edge of the first-course shingle, and expose 125mm of the course below to the weather. Fasten at the three standard locations (over the cutouts and 25mm inside the right edge, and 30mm inside the left edge).

3. To finish “Section I” (make each course, up to and including the seventh course) start with a shingle that has been cut 125mm shorter than the first shingle of the previous course. Remember to measure and cut only from the left end of the shingle. Fasten at the standard locations, plus 30mm inside the left edge.

## *Independence*

### *Application Instructions*

#### **“SECTION II” SHINGLES:**

All “Section II” shingles are left uncut. These shingles are to be butted-up against the “Section I” shingles that started courses one through seven. Fasten all shingles in the standard fashion (Figure 16-9).

#### **“SECTION III” SHINGLES:**

1. Begin “Section III” in the eighth course with a shingle having 275mm cutoff its left end. Install the 625mm piece above the seventh-course shingles, making it flush with the left edge of the seventh-course shingle and leaving 125mm of the seventh course exposed. Fasten at the two standard locations, plus 30mm in from the left edge (Figure 16-9).
2. The next four courses, up to and including the twelfth course, will start with a shingle 125mm shorter than the first shingle of the course just below it. This means that the first shingle for the ninth, tenth, eleventh and twelfth courses will be 500mm, 375mm, 250mm and 125mm long, respectively. Study the diagram in Figure 16-9 if you’re not sure what to do. Remember to expose each course 125mm to the weather, and fasten at the standard locations and 30mm in from each edge. Complete courses across the roof with full shingles.
3. For the additional courses needed up the rake to complete the roof, repeat this “Five-Off, Twelve-Up” type installation.

